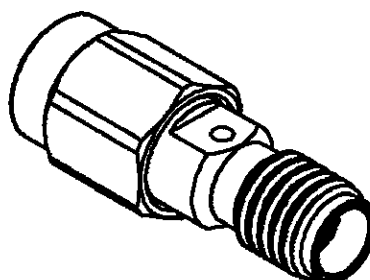
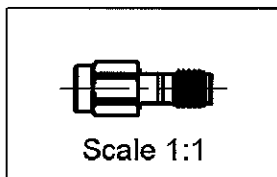
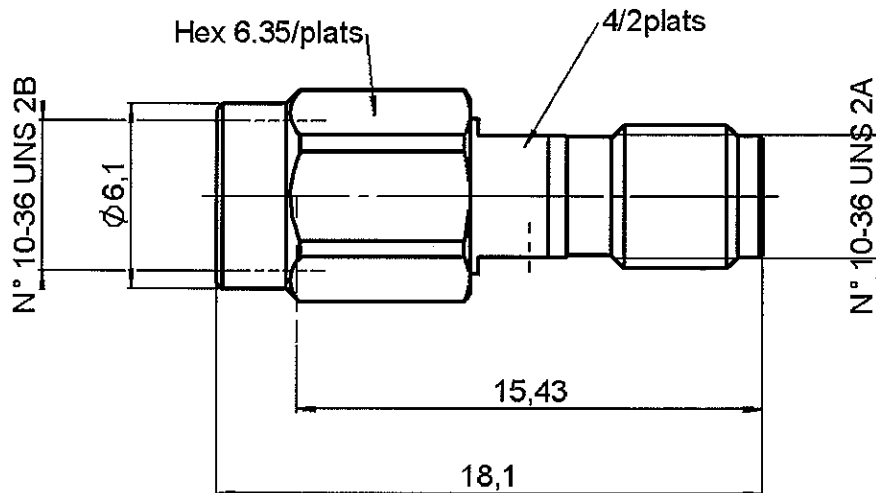


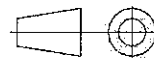
MALE-FEMALE ADAPTOR

R121.704.004 X

Series : SSMA -X



All dimensions are in mm.



COMPONENTS	MATERIALS	PLATINGS (µm)
BODY	BERYLLIUM COPPER	GOLD 0.5 OVER NICKEL 2
CENTER CONTACT	BERYLLIUM COPPER	GOLD 2.5 OVER NICKEL 2
OUTER CONTACT	-	-
INSULATOR	PTFE	-
GASKET	SILICONE RUBBER	-
OTHERS PARTS	BERYLLIUM COPPER	GOLD 0.5 OVER NICKEL 2
-	-	-
-	-	-

Issue : 0437 A

In the effort to improve our products, we reserve the right to make changes judged to be necessary.



MALE-FEMALE ADAPTOR

R121.704.004 X

Series : SSMA -X

PACKAGING

Standard	Unit	Other
1	-	Contact us

SPECIFICATION

RAD-GEN-CONN-001

ELECTRICAL CHARACTERISTICS

Impedance		50 Ω
Frequency		0-18 GHz
VSWR	1.05 +	0.030 x F(GHz) Maxi
Insertion loss		0.03 √F(GHz) dB Maxi
RF leakage	- (- F(GHz)) dB Maxi
Voltage rating		250 Veff Maxi
Dielectric withstanding voltage		750 Veff mini
Insulation resistance		5000 MΩ mini

ENVIRONMENTAL

Operating temperature	-55/+105 °C
Hermetic seal	NA Atm.cm3/s
Panel leakage	NA

OTHERS CHARACTERISTICS

Assembly instruction

Others :

MECHANICAL CHARACTERISTICS

Center contact retention	
Axial force – Mating end	22 N mini
Axial force – Opposite end	22 N mini
Torque	NA N.cm mini
Recommended torque	
Mating	85 N.cm
Panel nut	- N.cm
Mating life	500 Cycles mini
Weight	2.408 g

Issue : 0437 A

In the effort to improve our products, we reserve the right to make changes judged to be necessary.

